



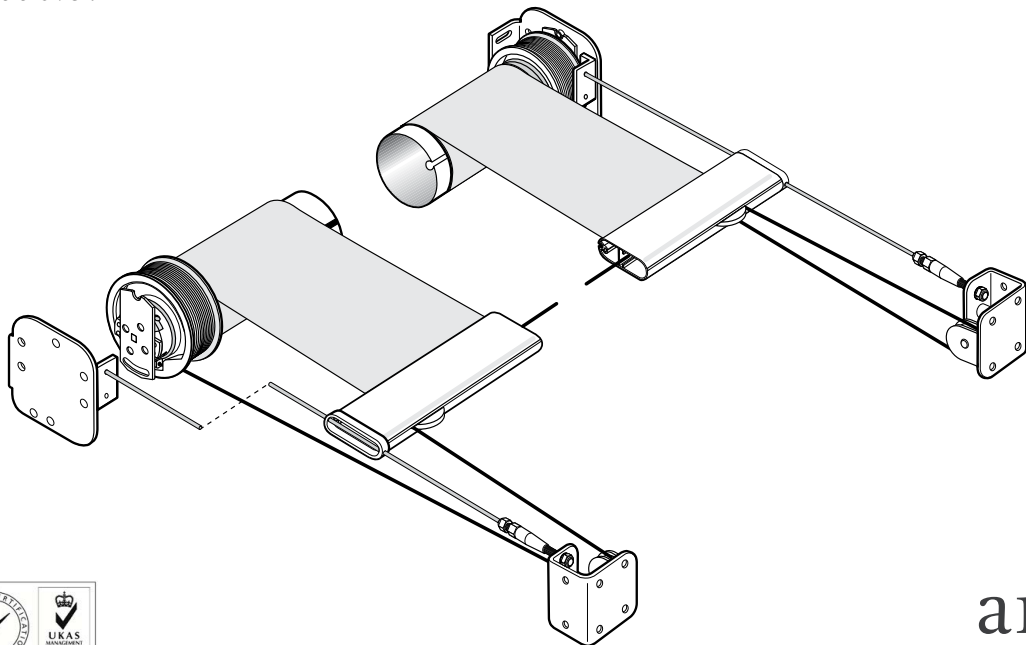
TESS140 DATASHEET

INTERNAL WIRE-GUIDED TENSION SYSTEM

Clean-cut styling to blend in with your building design.
Any angle, any direction, anywhere.

Sometimes great design is about what you can't see. The TESS 140 is designed to deliver reliability, discretely. Slim wire guides and flexible brackets make it easy to design into the glazing surround for near invisibility when retracted. Unlimited colour finishes and a wide range of fabrics make it suitable for any project. The single barrel mechanism keeps the fabric constantly under tension and produces a smooth, quiet travel.

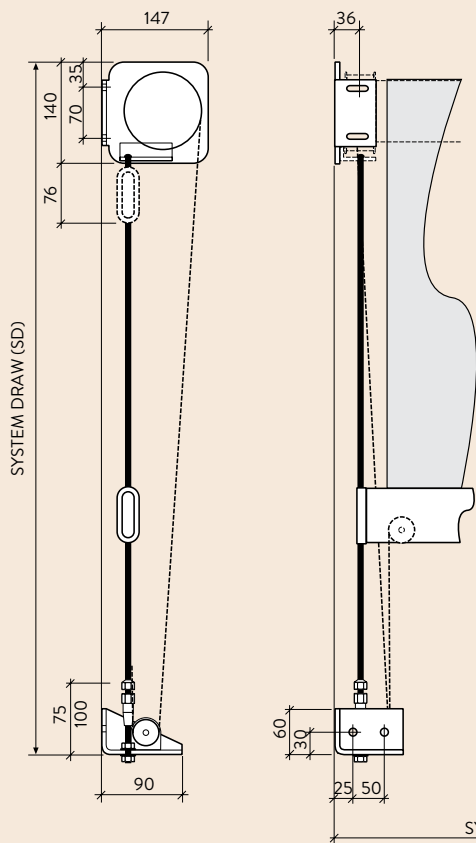
- Single barrel tension system
- Any angle, any direction
- Clean-cut design
- Discrete wire guides
- Reliable and robust



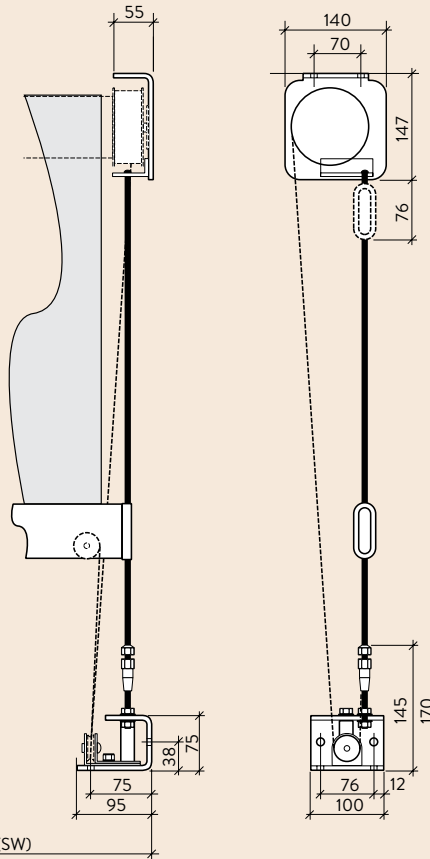
Assessed to ISO 9001
Certification No. 2186

artisan
BLINDS + SHADES

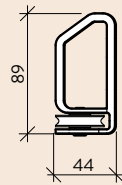
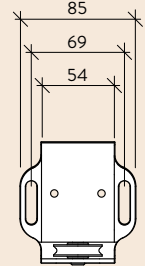
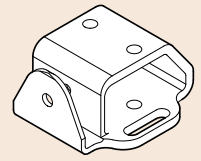
TOP FIX



BACK FIX



LOW PROFILE PULLEY OPTION



KEYFACTS

Typical use	Atria, skylights, façades
Shape	Rectangular
Running direction	Any
Guides	∅5 mm steel wire
Width	870 mm - 4000 mm
Draw	≤6500 mm
Fabric area	≤18m ²
Brackets	Aluminium
Finish	RAL powder coat
Installation options	Top, back, side

TECHNICAL INFO

Fabric tension	>100N
Weight exc. fabric	~9.5 kg + 4.2 kg/m width
Fixing load	≤100kg per bracket
Operating temp.	0 to 55 °C
Motor	15 Nm, 17 rpm
Electrical	230 V, 50 Hz, 140 W, 0.65A
	120 V, 60 Hz, 130 W, 1.1A
Max run time	4 min
Fabric speed	~5 m/min
Controls	Radio, Wired

